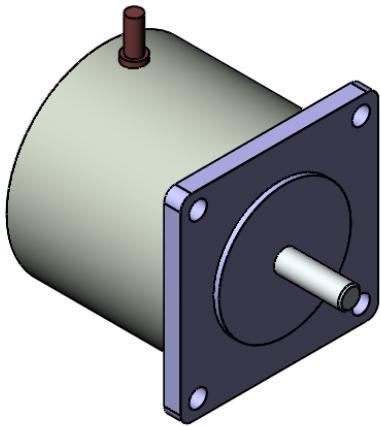
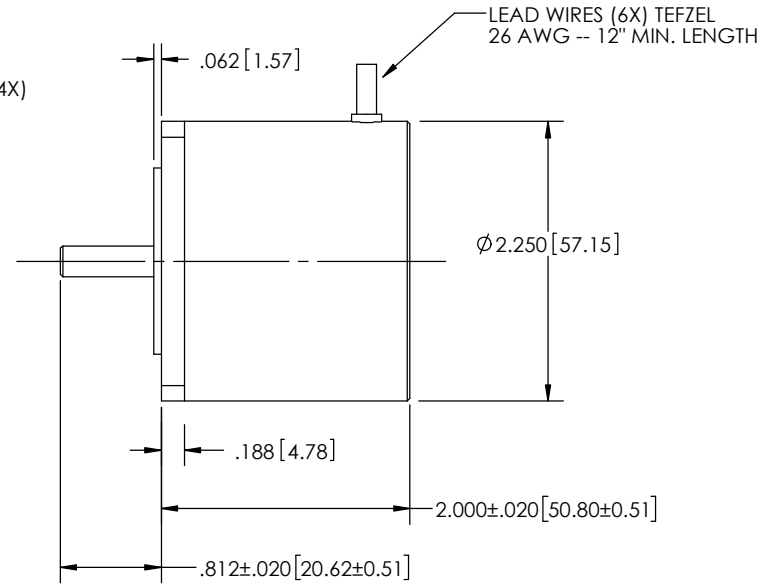
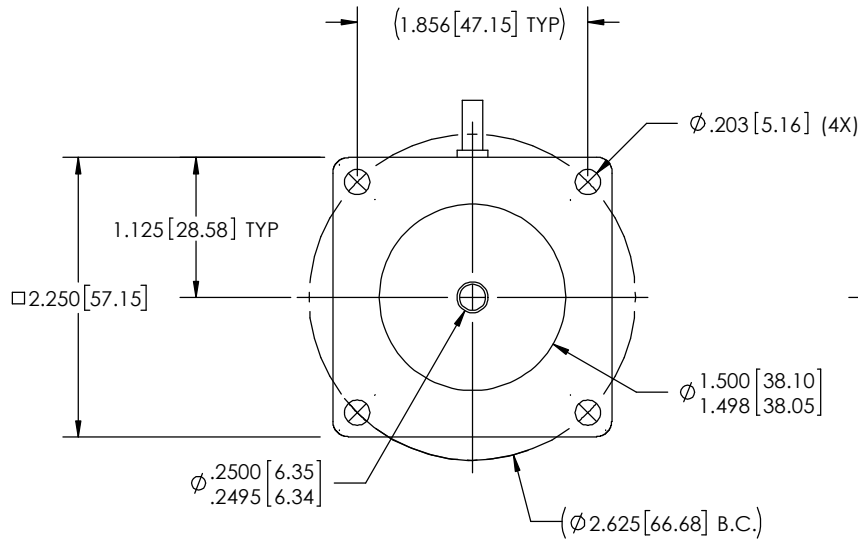


- NOTES:
 1. VACUUM STANDARD (VS) RATED BRUSHLESS EMR-57 RESOLVER.
 2. SEE ELECTRICAL DATA ON EMR57 RESOLVER ON WEB SITE.
 3. BALL BEARINGS ARE ABEC 3 BEARINGS.

REVISIONS		DATE	APPROVED
ZONE	REV.	DESCRIPTION	

PRELIMINARY 0.5



PROPRIETARY AND CONFIDENTIAL
 THE INFORMATION CONTAINED IN THIS DRAWING IS THE SOLE PROPERTY OF EMPIRE MAGNETICS, INC. ANY REPRODUCTION IN PART OR AS A WHOLE WITHOUT THE WRITTEN PERMISSION OF EMPIRE MAGNETICS, INC. IS PROHIBITED.

		UNLESS OTHERWISE SPECIFIED:		NAME	DATE	EMPIRE MAGNETICS, INC. ROHNERT PARK, CA 94928	
		DIMENSIONS ARE IN INCHES		DRAWN	DTI	9-18-17	
		TOLERANCES:		CHECKED		TITLE:	
		FRACTIONAL ±		ENG APPR.		OUTLINE VS EMR57 RESOLVER	
		ANGULAR: ±0.5		MFG APPR.		SIZE	
		TWO PLACE DECIMAL ±.010		Q.A.		DWG. NO.	
		THREE PLACE DECIMAL ±.005		COMMENTS:		VS EMR57 RESOLVER	
		INTERPRET GEOMETRIC TOLERANCING PER:				REV	
		MATERIAL				SCALE: 1:1	
		FINISH				SHEET 1 OF 1	
NEXT ASSY	USED ON	APPLICATION					
		DO NOT SCALE DRAWING					