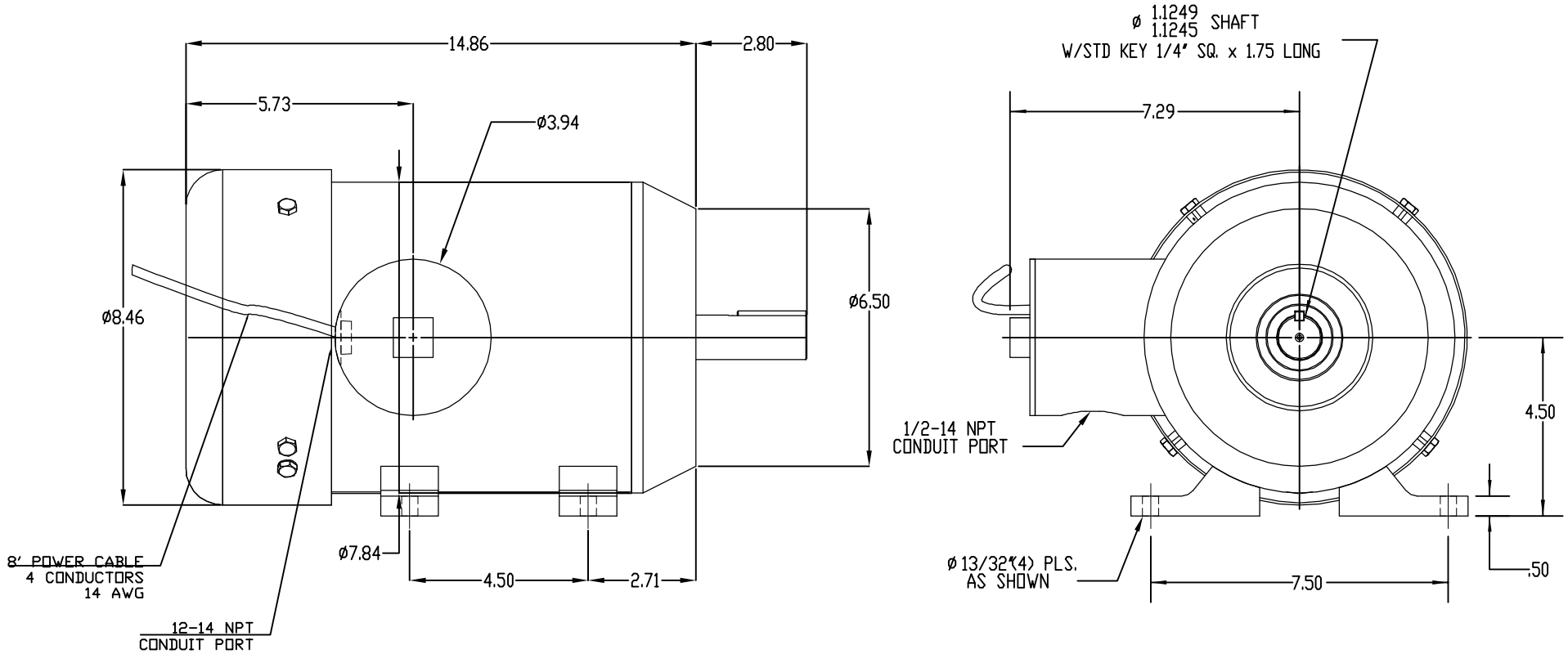


REV. / DESCRIPTION		BY	DATE

NOTES:

1. STAINLESS STEEL WATER-PROOF MOTOR.
2. 6 POLE AC MOTOR -- 1160 RPM.
3. HP RATING: 1.5 HP.
4. BASE MOTOR SIZE: FRAME 182T (TEFC).
5. FOOT MOUNTED.
6. EQUIPPED WITH 8' LONG CABLE.
7. FACTORY WIRED FOR 460 VAC, 3 PHASE.
8. JUNCTION BOX IS POTTED.
9. ALLOW 1" CLEARANCE BEYOND FAN SHROUD FOR AIR FLOW.

PRELIMINARY 1



THIS DRAWING CONTAINS INFORMATION WHICH IS PROPRIETARY AND CONFIDENTIAL TO STAINLESS MOTORS, INC., AND IS TRANSMITTED IN CONFIDENCE. THE REPRODUCTION, USE OR DISCLOSURE, IN WHOLE OR IN PART, OF THE DESIGN CONTAINED HEREIN TO OTHERS IS PROHIBITED WITHOUT THE WRITTEN CONSENT OF EMPIRE MAGNETICS, INC.

©COPYRIGHT EMPIRE MAGNETICS, INC. ALL RIGHTS RESERVED. YEAR OF COPYRIGHT IS FIRST YEAR INDICATED ON THE DRAWING.

DO NOT SCALE DRAWING	MATERIAL: T304 EXTERIOR 17-4 H1150 SHAFT	EMPIRE MAGNETICS, INC ROHNERT PART, CA.
UNLESS OTHERWISE SPECIFIED	FINISH: #4 LINE	
DIMENSIONS ARE IN INCHES	GENERAL TOLERANCES:	DRAWN : DTI
DIMENSIONS AND SURFACE TEXTURE DESIGNATIONS APPLY PRIOR TO FINISH	X = +/- 0.015	CHECK:
ALL OUTSIDE RADI TO BE .025/0.05	XX = +/- 0.010	ENG : JD
ALL INSIDE RADI TO BE .032	FRACTIONAL = +/- 1/64	DATE : 2-26-14
	ANGULAR = +/- 1/2°	MODEL NUMBER:
REFERENCE DRAWING NUMBER: Frame\182T TEFC		S/WD-6-15-182T/140227R