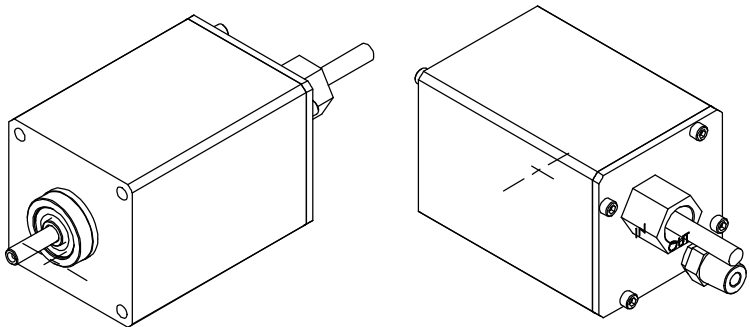
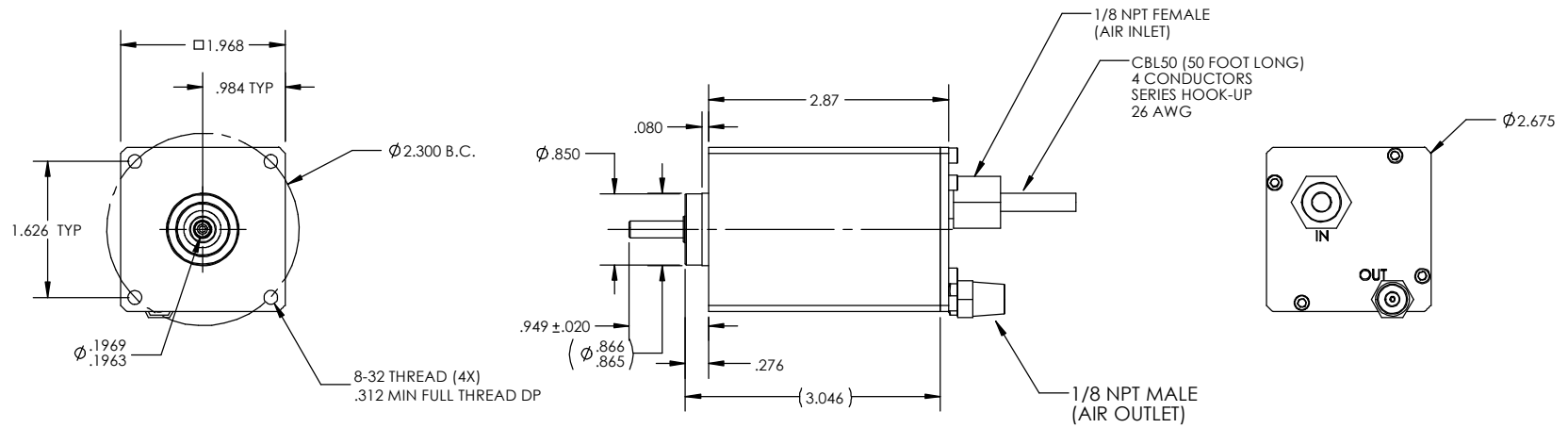


8 7 6 5 4 3 2 1

- NOTES:
 1. PT SERIES U17-2 WITH 50 FOOT LONG CABLE.
 2. SHAFT IS EQUIPPED WITH A BUNA N SHAFT SEAL.
 3. SHAFT IS EQUIPPED WITH A HARDENED SLEEVE AT SEAL.
 4. OPERATING TEMP RANGE: 0C TO 80C.

REVISIONS		DATE	APPROVED
ZONE	REV.	DESCRIPTION	
	A	RELEASED	DTI



PROPRIETARY AND CONFIDENTIAL
 THE INFORMATION CONTAINED IN THIS DRAWING IS THE SOLE PROPERTY OF EMPIRE MAGNETICS, INC. ANY REPRODUCTION IN PART OR AS A WHOLE WITHOUT THE WRITTEN PERMISSION OF EMPIRE MAGNETICS, INC. IS PROHIBITED.

		UNLESS OTHERWISE SPECIFIED:	NAME	DATE	EMPIRE MAGNETICS, INC. ROHNERT PARK, CA 94928
		DIMENSIONS ARE IN INCHES	DRAWN	DTI	12-4-13
		TOLERANCES:	CHECKED		TITLE:
		FRACTIONAL: \pm	ENG APPR.		OUTLINE DRAWING PT-U17-2-CBL50
		ANGULAR: \pm 5	MFG APPR.		
		TWO PLACE DECIMAL: \pm .010	Q.A.		
		THREE PLACE DECIMAL: \pm .005	COMMENTS:		
		INTERPRET GEOMETRIC TOLERANCING PER:	OUTLINE PT U17 2 CBL10		
		MATERIAL			SIZE
		FINISH			B
NEXT ASSY	USED ON			30-0240-0646	REV
APPLICATION		DO NOT SCALE DRAWING		A	
				SCALE: 1:1.4	SHEET 1 OF 1

8 7 6 5 4 3 2 1